

ECOSPEEDY

Manufactured by M.C. Automazioni, ECOSPEEDY is a VFFS combining reliability, versatility, robustness and affordable price, together with high technology.

Realized in stainless steel AISI 304 and available with servo or asynchronous motorization, Ecospeedy is easy to use and maintain. The commercial PLC and the simple software are accessible to every operator and allow to minimize mechanical adjustments, hence avoiding expensive production downtimes.



- Performances up to 140 bpm
- Stainless steel AISI 304
- Compact design
- High availability of mechanical parts
- 3 servomotors (film pulling belts, jaws and square bottom)
- Inclinable version available

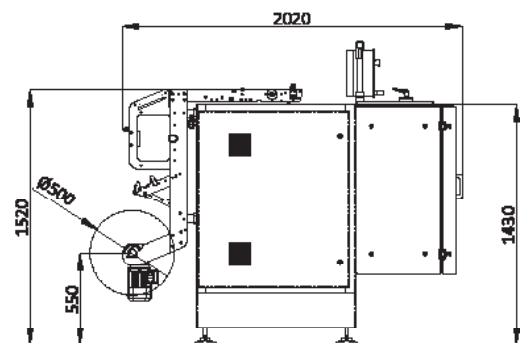
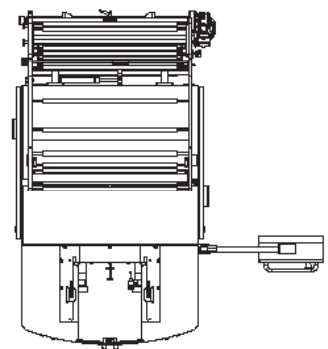
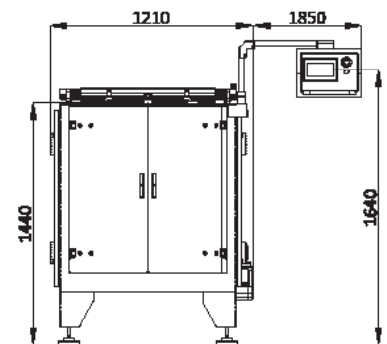


Technical Data

Max mechanical speed	Asynchronous - 90 bpm / Servo - 140 bpm
Bag's min width	80 mm (with forming tube Ø 50 mm)
Bag's max width	350 mm (with forming tube Ø 225 mm)
Bag's max length (single pull)	300 mm (350/400/450 mm upon request)
Reel's min width	180 mm
Reel's max width	800 mm
Reel's min internal Ø	76,2 mm
Reel's max external Ø	570 mm
Packaging materials	Thermo-sealing films (polythene, laminated, polypropylene, barrier films, net films)
Vertical sealing	Pneumatic bar
Horizontal sealing	Asynchronous - asynchronous motorization Servo - brushless motorization
Horizontal sealing jaws	Intermittent
Controlling system	Allen Bradley or Siemens PLC
Recipes	100
Interface	7" color touch screen
Electrical supply	220/380/400V, 50Hz
Compressed air	6 bar
Compressed air pipe	¼ diameter 8-10 mm
Compressed air consumption	50 l/min.
Installed power (without options)	4 kWatt / 7kWatt
Structure's material	Stainless steel AISI 304
Weight	~ 500 kg

Options

- Motorized pulling gummed rollers
- Gas injection for ATM packaging
- Printer
- Vacuum chamber
- Stabilo device
- Device for film automatic centering
- Brushless device for square bottom with integrated flap bending kit
- Many others upon request



Pictures of packed products are not of promotional nature, but meant to stand as examples of different packaging types. Not all represented products were packed by M.C. Automazioni s.r.l. or by Sigitaspak s.r.l.