

MAYA

Equipped with the same constructive characteristics as the high range machines, Maya is the right answer to those customers requiring quality and reliability against affordable purchasing costs.

Maya's structure is made of stainless steel AISI 304, machine is motorized and endowed with a commercial PLC and human-machine interface with touch-screen technology. Maya offers pre-defined characteristics for what concerns packaging speed, bag's maximum dimensions and the typology of applicable options, combined with an interesting purchasing price considering the category it belongs and its constructive characteristics.



- Performances up to 90 bpm
- Stainless steel AISI 304
- Compact design
- 7" HD color touch screen
- Available with fixed inclination



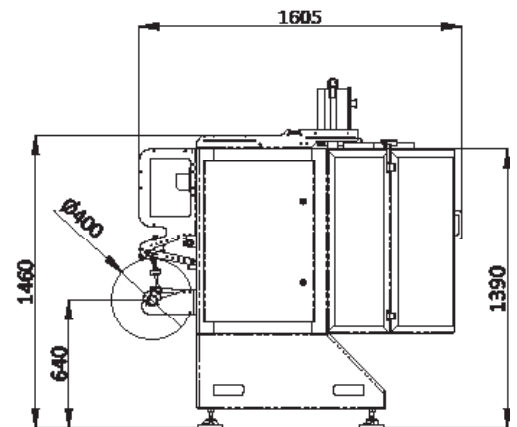
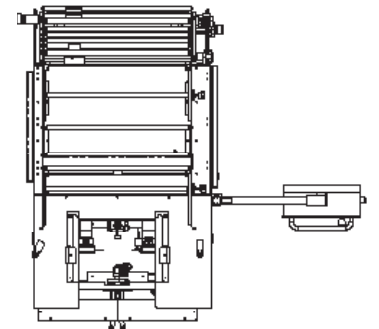
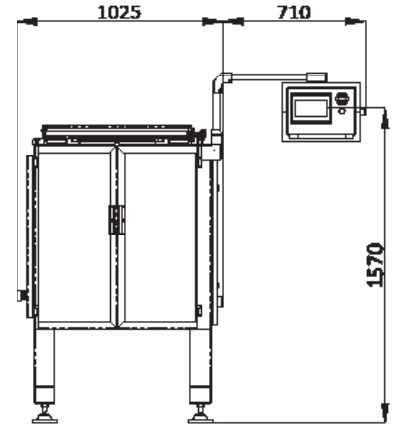


Technical Data

Max mechanical speed	90 bpm
Bag's min width	80 mm (with forming tube Ø 50 mm)
Bag's max width	300 mm (with forming tube Ø 190 mm)
Bag's max length (single pull)	300 mm (350/400 mm upon request)
Reel's min width	180 mm
Reel's max width	650 mm
Reel's min internal Ø	76,2 mm
Reel's max external Ø	400 mm
Packaging materials	Thermo-sealing films (polythene, laminated, polypropylene, barrier films)
Vertical sealing	Pneumatic bar
Horizontal sealing	Asynchronous motor
Horizontal sealing jaws	Intermittent
Controlling system	Allen Bradley or Siemens PLC
Recipes	100
Interface	7" color touch screen
Electrical feeding	220/380/400V, 50Hz
Compressed air	6 bar
Compressed air pipe	¼ diameter 8-10 mm
Compressed air consumption	70 l/min.
Installed power (without options)	4 kWatt
Structure's material	Stainless steel AISI 304
Weight	~ 400 kg

Options

- Gaj injection to pack with MAP technology
- Thermo-printer
- Vacuum chamber
- Stabilo device
- Square bottom and flap bending device
- Many others upon request



Pictures of packed products are not of promotional nature, but meant to stand as examples of different packaging types. Not all represented products were packed by M.C. Automazioni s.r.l. or by Sigitaspak s.r.l.